



AS-900

Venetian blinds

Stylish.



Stylish sun and weather protection

AS-900 Compound venetian blinds

AS-900 compound venetian blinds with 90 mm-wide, s-shaped slats provide good dimming and individual light regulation. The elegant profile allows for an aesthetically pleasing façade design.

AS-900 compound venetian blinds are available with rail guidance and guided slats on alternate or both sides, with cable guidance or combined wind-resistant rail and cable guidance.

Textured coating

The innovative textured coating used for the slats demonstrates significantly better colour retention and weather resistance than the conventional smooth coating. Dirt adhesion is substantially reduced and the slats are easy to clean.

Daylight use

The blind can be split into two or three sections with different slat inclines. Open slats in the upper section enable daylight to penetrate into the depths of the room, while closed slats in the lower section serve as glare protection for the window.

Range of colours

Choose from around 28 standard colours, including a range of IGP and metallic colours. You can also choose from more than a thousand RAL, NCS and IGP colours.

Automated convenience

Venetian blinds can be fitted with electric drives for greater ease of operation. In conjunction with the corresponding controller, this meets the Minergie standard.

Excellent materials

Weatherproof chrome steel slat hooks, metal guide bolts, flanged holes for 8mm-wide lift tapes, Kevlar-reinforced turning cords and slats with textured coating all ensure that the blinds will last for a long time.

Cable guidance and combined cable/rail guidance

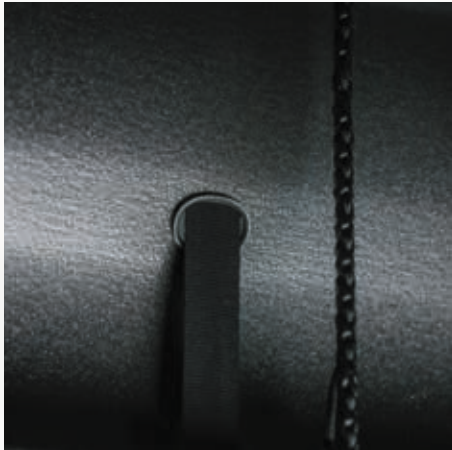
The slats can either be guided on one side [e.g. for corner windows] or on both sides by filigree chrome steel cables [AS-930 model].

The combined cable/rail guidance system [AS-940 model] features additional cables, which means the slats are in wind resistance class 6 [92 km/h, bk max. \leq 4000 mm, hk max. \leq 3500 mm, bk x hk \leq 8 m²].



Self-supporting system

The self-supporting blind system with no mounting in the recess area preserves insulation, reduces noise transmission, and prevents thermal bridges [Minergie standard]. A central attachment or a reinforcement profile is required for the head rail from widths of 2500 mm and above.



Holes

The flanged holes prevent the 8 mm-wide lift tape from fraying. Not using delicate plastic lugs avoids the need for premature repairs.



Metal guide bolts and chrome steel hooks

Metal guide bolts ensure durability and resistance to breakage.

The weatherproof chrome steel hooks attaching the slats to the turning cords enable damaged slats to be subsequently replaced.



Turning cords with precise folding

Kevlar-reinforced turning cords ensure precise folding without sitting between the slats. This achieves a minimal package height with parallel slat alignment. Dark slat colours can be equipped with black turning cords and lift tapes to prevent them from sticking out.



Cable guidance and combined cable/rail guidance

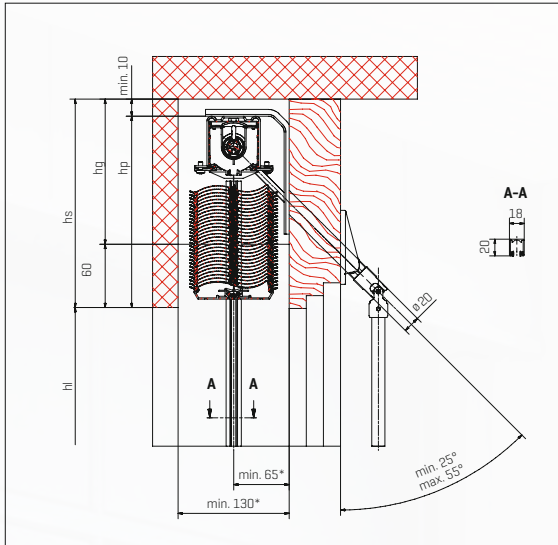
The slats can either be guided on one side or on both sides with 3 mm-thick, PA-coated cables. The combined cable/rail guidance system [AS-940] features additional cables, which means the slats are in wind resistance class 6 [92 km/h, bk max. \leq 4000 mm, hk max. \leq 3500 mm, bk x hk \leq 8 m²].



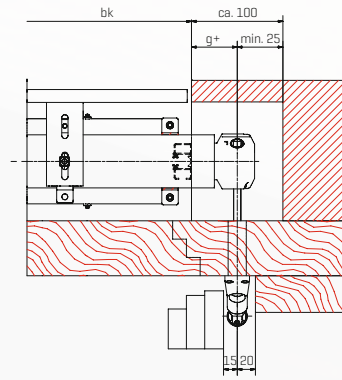
End position stop

The bottom rail can be equipped with an end position stop. In the closed end position, this cannot be raised from the outside and thus serves to prevent break-ins.

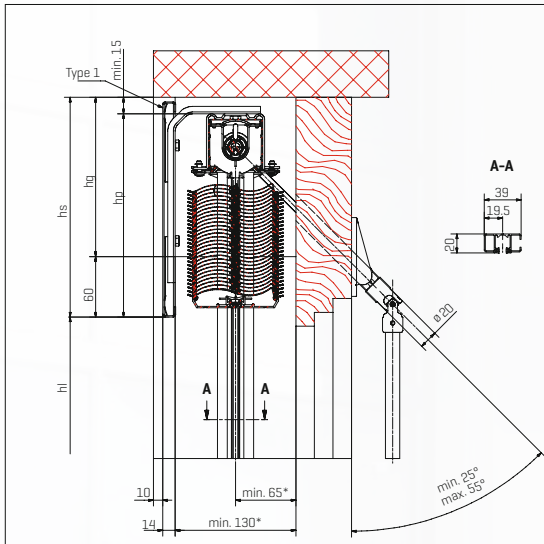
Installation on embrasure in recess



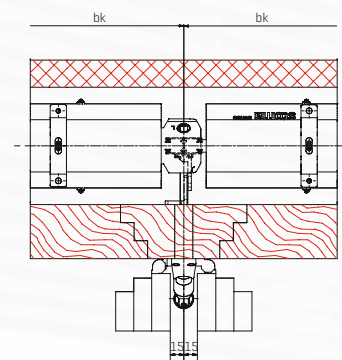
Recess for gear box



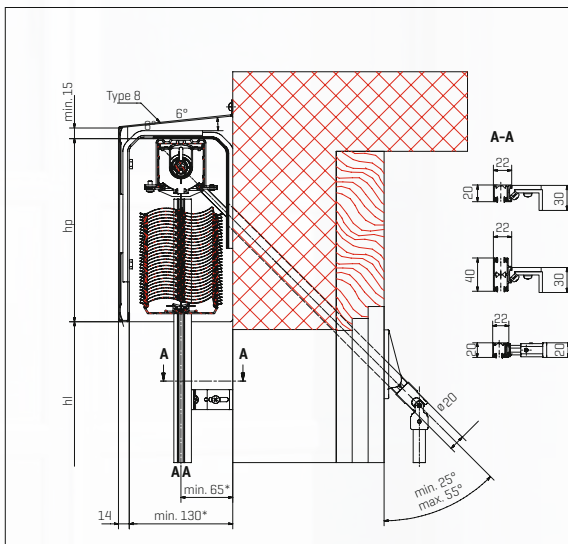
Self-supporting installation with cover panel type 1



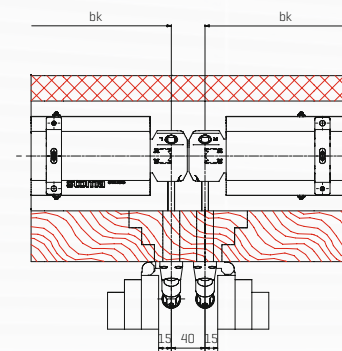
Crank drive



Installation on facade with cover panel type 8



Crank drive



bk construction width
hk construction height
hl height of opening
hp height of package
hs height of recess

hg height of recess for gear box
g+ position of gear/crank handle
 * plus protruding door handles and weather boards etc.

All dimensions in mm

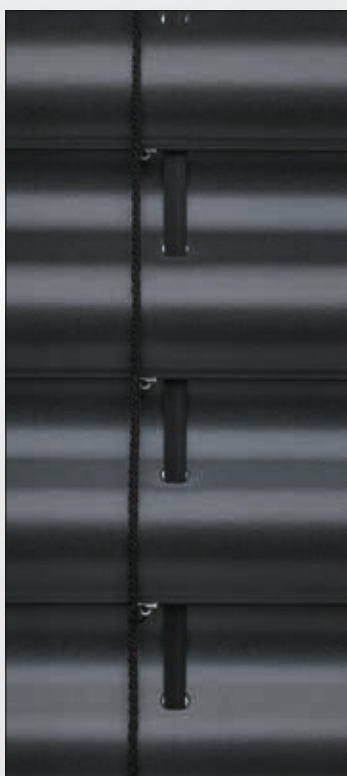
Height of opening [hl]	Height of recess [hs] AS-900
to 1750 mm	220 mm
1751 to 2000 mm	220 mm
2001 to 2250 mm	235 mm
2251 to 2500 mm	250 mm
2501 to 2750 mm	265 mm
2751 to 3000 mm	280 mm
3001 to 3250 mm	295 mm
3251 to 3500 mm	310 mm
3501 to 3750 mm	330 mm
3751 to 4000 mm	345 mm
4001 to 4250 mm	360 mm
with cover panel	+ 20 mm
minimum	400 mm
maximum	4250 mm
maximum without warranty	5500 mm

Construction width [bk]	
min. with crank drive	345 mm
min. with electric drive	480 mm
max./max. without warranty	5000 mm/6000 mm

Area [bk x hk]	
Single blinds	
max. with crank drive	6 m ²
max. with motor drive	10 m ²
coupled system	
max. with crank drive	6 m ²
max. with electric drive	24 m ²
max. coupled blinds	3 pieces

Recess depth [tn]	
minimum	130 mm

Wind resistance class	AS-900	AS-940
bk < 1500 mm	class 6	class 6 +
bk < 2000 mm	class 6	class 6 +
bk < 2500 mm	class 6	class 6 +
bk < 3000 mm	class 5	class 6
bk < 3500 mm	class 5	class 6
bk < 4000 mm	class 5	class 6
bk < 4500 mm	class 4	class 5
bk < 5000 mm	class 3	class 4



Lowering

In the standard model, the slats are lowered in the closed position.

In the business model, the slats are lowered in an angled anti-glare position (approx. 40°). The slats can be adjusted and closed at any height in both models.



End position

In the standard model, the slats are lowered in the end position. A short upward movement can be used to open them to the horizontal position.

In the business model, the slats are lowered in the angled end position (approx. 40°). A brief upward movement closes them. A longer upward movement can be used to open them to the horizontal position.



Raising

In both models, the blind is raised with the slats in the horizontal position. This allows the maximum amount of light to penetrate and ensures a gentle sliding motion for the lift tape.

Development

Storenmaterial AG
www.stoma.ch



AS900.EN.2024

Sales

